



FIXTURE TYPE:

LED COOLER DOOR  
LIGHT

NOTES:

UPDATE DATE:

August, 2023

## NSF LED COOLER DOOR LIGHT



### PRODUCT OVERVIEW

This NSF Cooler Door Light, make your cooler door more brighter. NSF food rated certificated, allowed it to be used in various food related applications like food processing factories or cooler doors. High CRI and bright light, make the food looks appetite and easy to be found. Big beam angle 270 degree, light two sides at the same time. And it is a great replacement for your 4FT, 5FT and 6FT existing cooler fixture and come with an internal driver.

### KEY FEATURES

- 4FT, 5FT and 6FT optional.
- Wide Range Input Voltage AC120-277V.
- Full PC tube outside, IP65 waterproof.
- Breather valve installed, no condensation beads inside the lamps.
- Excellent heat management, aluminum heatsink used inside. good heat dissipation, temperature rise  $<10^{\circ}\text{C}$
- Excellent optical design, greatly improving light utilisation and uniformity
- Pre-installed brackets on the lights, only 4 screws needed for the installation
- NSF, ETL and cETL listed
- Can be cascaded for easy wiring
- Adjustable angle for different needs



### APPLICATION

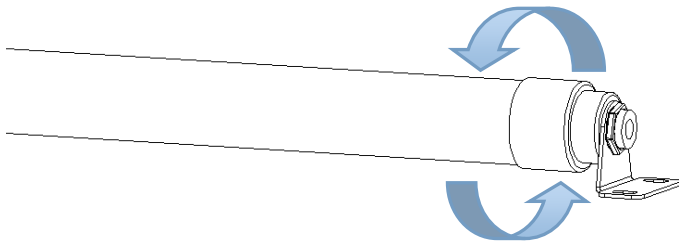
- Cooler Door, Freezer
- Food preservation/cooler cabinet
- Warehouse etc.

## MORE VIEWS



## ANGLE ADJUSTMENT

Angle adjustable, if you need to adjust the illuminating angle after installation, you can rotate the lamp by hand freely.



## PERFORMANCE SUMMARY



Product Series	MC-FPFL4F-18X	MC-FPFL5F-22X	MC-FPFL6F-30X	MC-FPFL6F-40X
Size	4FT	5FT	6FT	6FT
Wattage	18W	22W	30W	40W
Lm/w	120lm/w on average	120lm/w on average	120lm/w on average	120lm/w on average
lumens	2160lm	2640lm	3600lm	4800lm
T Connctor Max. Connection	17PCS@120V 33PCS@277V	15PCS@120V 30PCS@277V	9PCS@120V 18PCS@277V	9PCS@120V 18PCS@277V
Certification	NSF, ETL, cETLus			
Voltage	120-277Vac			
Power factor	≥0.95			
CRI	>80Ra			
CCT	3000K-6500K available			
Cable	3core,18AWC			
Working Life	>50000hrs			
Working Temperature	-20-+40°C			
Storage Temperature	-40-+80°C			
Warranty	5years			

## ORDERING GUIDE

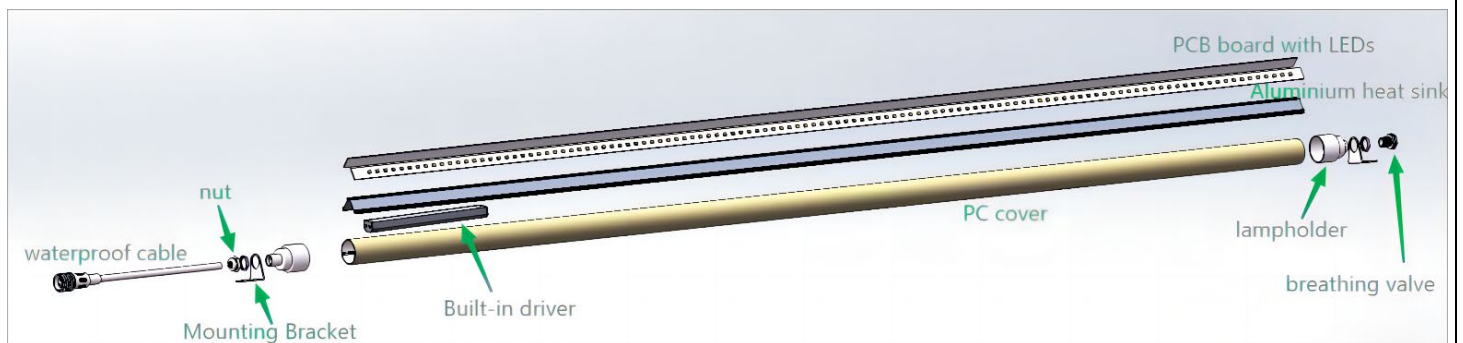
Example: MC-FPFL4F-18X

PRODUCT	SIZE	Wattage	First X
<input type="text"/>	<input type="text"/>	<input type="text"/>	<input type="text"/>
<b>MC</b>	<b>FPFL4F</b> 4FT	<b>18</b> 18W	<b>A</b> 3000K
Company	<b>FPFL5F</b> 5FT	<b>22</b> 22W	<b>B</b> 3500K
Code	<b>FPFL6F</b> 6FT	<b>30</b> 30W	<b>C</b> 4000K
		<b>40</b> 40W	<b>D</b> 5000K
			<b>E</b> 6500K
			<b>H</b> 5700K

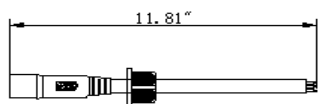
## ACCESSORIES LIST

Image	Description	Note
	UL input cable (300mm in standard)	Standard
	UL T cable	Option

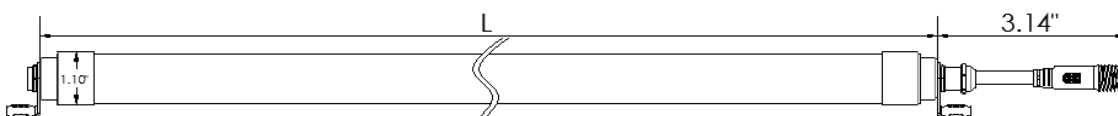
## CUTSHEET



## DIMENSIONS

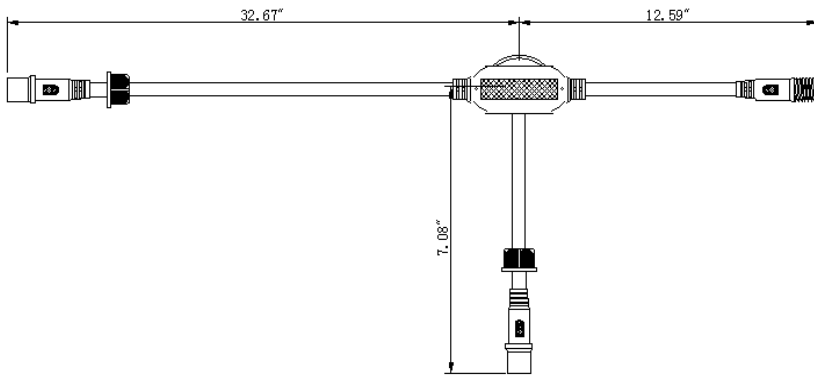


Input Cable



Length	Power	Size
4FT	18W	L=47.24"*1.10"
5FT	22W	L=59.05"*1.10"
6FT	30W&40W	L=70.86"*1.10"

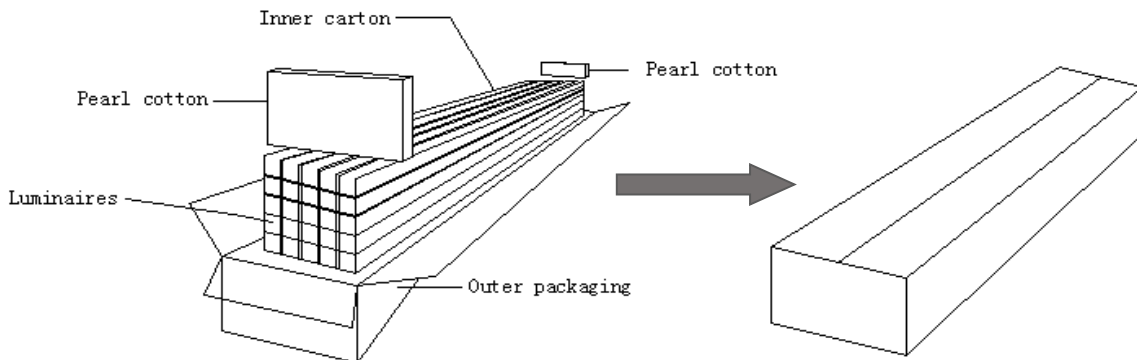
## T CONNECTING CABLES(OPTIONAL)



L3	L4	L5
33"	12.6"	17"

## PACKAGING INFORMATION

Model	Power	Packing Detail				
		Length	Wide	Height	PCS/Ctn.	GW(KGS)
4FT	18W	50.4" (128cm)	11" (28cm)	7.5" (19cm)	25	12.2
5FT	22W	62.2" (158cm)	11" (28cm)	7.5" (19cm)	25	14.2
6FT	30W	74" (188cm)	11" (28cm)	7.5" (19cm)	25	16.6
6FT	40W	74" (188cm)	11" (28cm)	7.5" (19cm)	25	17



Tel: 0086- 755-23727896  
 Email: info@hiluxlight.com  
 Website: www.hiluxlight.com  
 Add: 2nd Floor, A Building, Chuangfu  
 Technology Park, Beihuan Road, Shiyan  
 Town, Bao'an District, Shenzhen, China